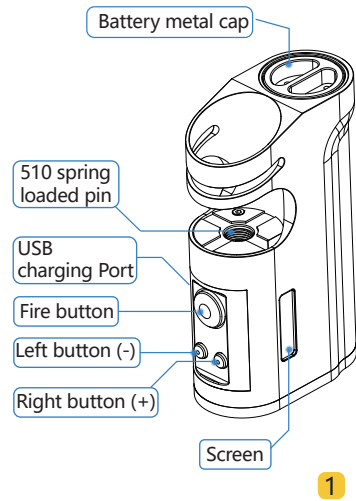




User Manual
English/中文

Component



1

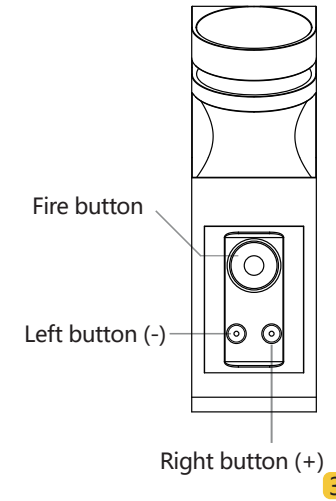
Specification

Power: 1-60W
Voltage: 0.5-7V
TC mode support: Ni200/Titanium /Stainless Steel

Atomizer Resistance
VV/VW: 0.1-3ohm (0.5ohm is optimal)
TC Ni200: 0.1-0.3ohm (0.2ohm is optimal)
TC Ti: 0.1-1.0ohm (0.5ohm is optimal)
TC SS: 0.1-1.0ohm (0.5ohm is optimal)
Temp control Range: 200-600 °F(100-300°C)
Material&Technics: Zinc alloy with ceramic baking
Size: 83mm*25.5mm*50.5mm
Efficiency: 95%

2

Button&Function



3

Turn on/off: Click the fire button 5 times continuously to make the device turn on/off

How to select the mode

- ① Click fire button 3 times continuously.
- ② Click Right or Left button to select VV/VW/TC Ni/TC Ti/TC SS.
- ③ Click fire button to confirm the mode.

VV/VW mode

Fire +Right button in 3S: Right/ Left mode to switch

TC mode

- ① Right+Left Button : Calibrate the current resistance to get a proper joule automatically
- ② Fire+Right Button: Joule automatically/ Manually
- ③ °F/°C: It will display Celsius after the Fahrenheit reach the highest 600°F or get the lowest 200F

4

Self-protection

- 1) Reverse protection.
- 2) Over-heating protection.
- 3) Low voltage protection.
- 4) Overload/Short-circuit protection.
- 5) Over-time protection : While vaping , the device will stop working to be protected once over 10S

5

Screen Prompts

NO ATOMIZER Smoant Knight V1 can not detect an atomizer. If the resistance over the min or max ohm, the display will show no atomizer.

SHORTED The atomizer shorted or the resistance lower than 0.05ohms will display shorted.

LOW RESISTANCE :While in VV/VW mode , if the resistance lower than 0.1ohm , the display will show low resistance.

>2ohm, <0.08ohm:In TC mode, if the resistance higher than 2.0ohm or lower than 0.08 , it will display >2ohm or <0.08ohm.

6

DRY COIL Anti-dry burning warning.

LOW BATTERY The battery is below 3.4 volts, it will display low battery.

TOO HOT The Smoant Knight V1 has onboard temperature sensing. It will go to sleep mode and display this message, once the temperature of internal board over 60°C.

Too low power setting: While in VV/VW mode , if the power setting is not fit for the resistance, the OHM display will flash, and the device will still operate.

7

Warranty :

We are not responsible for any damages caused by human error .Our warranty is only for products purchased from authorized vendors .

Smoant agree to provide warranty pursuant to the following terms and conditions:

1. Warranty period is 90days from date of purchase by end user.

2. The warranty may be not provided as a result of any of the following conditions:

* Customer does not provide the original receipt of purchase

8

*Merchandise failure or damage is caused due to improper use or unauthorized repair

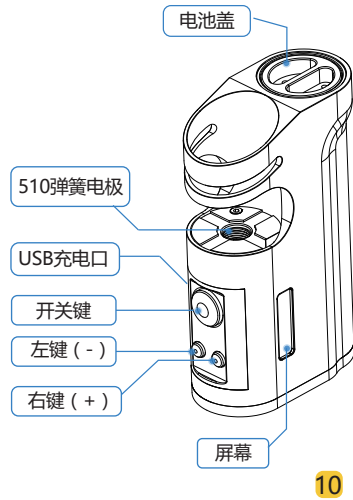
* Merchandise failure or damage as a result of excessive force such as dropping

*Merchandise failure or damage caused by improper use of water or other liquid.

Smoant reserves the right of final decision in all warranty cases.Smoant may interpret and revise the content of this warranty terms.

9

组成



10

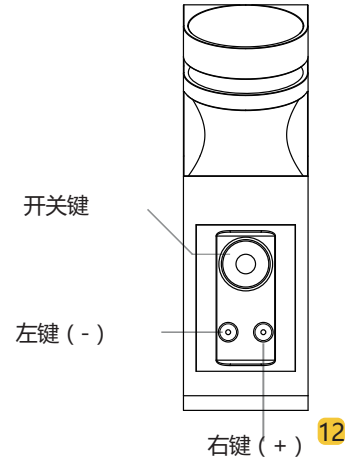
详细规格

功率: 1-60W
电压: 0.5-7V
温控支持: Ni200(镍)/Titanium(钛) / Stainless Steel(不锈钢)

适配雾化器电阻
功率/电压模式: 0.1-3.0ohm(0.5ohm 最佳推荐)
温控Ni200(镍): 0.1-3.0ohm(0.2ohm 最佳推荐)
温控Ti(钛): 0.1-1.0ohm (0.5ohm 最佳推荐)
温控SS(不锈钢): 0.1-1.0ohm (0.5ohm 最佳推荐)
温控范围: 200-600°F (100-300°C)
工艺材质: 锌合金烤漆
尺寸: 83mm*25.5mm*50.5mm
转换率: 95%

11

按键功能



12

开/关: 连续按开关键5次进行开机或关机

如何选择模式

- ① 连续按开关键3次
- ② 按左键或者右键进行选择电压/功率/镍温控/钛温控/不锈钢温控
- ③ 按开关键确认所选模式

电压/功率模式

开关键+右键 3S 进行左右手模式切换

温控模式

- ① 左键+右键: 校正当前阻值获得最佳匹配的焦耳
- ② 开关键+右键: 自能焦耳/和手动调节焦耳切换
- ③ °F/°C: 如果温度高于600F 或者低于200F, 继续调节将会显示摄氏温度

13

保护功能

- 1) 防反接保护.
- 2) 过热保护.
- 3) 低电压保护.
- 4) 过流/短路保护.
- 5) 过度使用保护: 连续使用10S, 主机将会停止工作进入被保护状态

14

屏幕提示

NO ATOMIZER Smoant Knight V1 骑士V1不能侦测雾化器, 如果雾化器阻值超出所能匹配的最高雾化器阻值或者最低阻值, 屏幕将会显示NO ATOMIZER.

SHORTED 雾化器短路或者阻值低于0.05ohm, 屏幕将会显示SHORTED

LOW RESISTANCE 在电压/功率模式下, 如果阻值低于0.1ohm 屏幕将会显示LOW RESISTANCE

>2ohm, <0.08ohm 在温控模式下, 如果阻值高于2.0ohm或者低于0.8ohm, 屏幕将显示>2ohm <0.08ohm

15

DRY COIL 防干烧警示

LOW BATTERY 电池低于3.4V, 将会显示LOW BATTERY

TOO HOT 骑士V1的芯片能感应温度。一旦芯片的温度高于60C, 主机将会进入睡眠模式, 屏幕会显示TOO HOT

Too low power setting: 在电压/功率模式下, 如果设定的功率不匹配当前雾化器阻值, OHM将会闪动, 主机继续工作。

16

质保:

人为损坏主机, 我们将不提供质保服务,

Smoant 质保服务仅提供给授权过的商家.

Cloupor 将提供质保服务90天从使用者购买日期算起。

以下情况将不提供质保服务

- *顾客不提供购买凭证单据
 - *不正当使用或者人为损坏
 - *人为摔坏
 - *人为使主机进水或者烟油
- 以上条例Cloupor有最终解释和修正权。

17